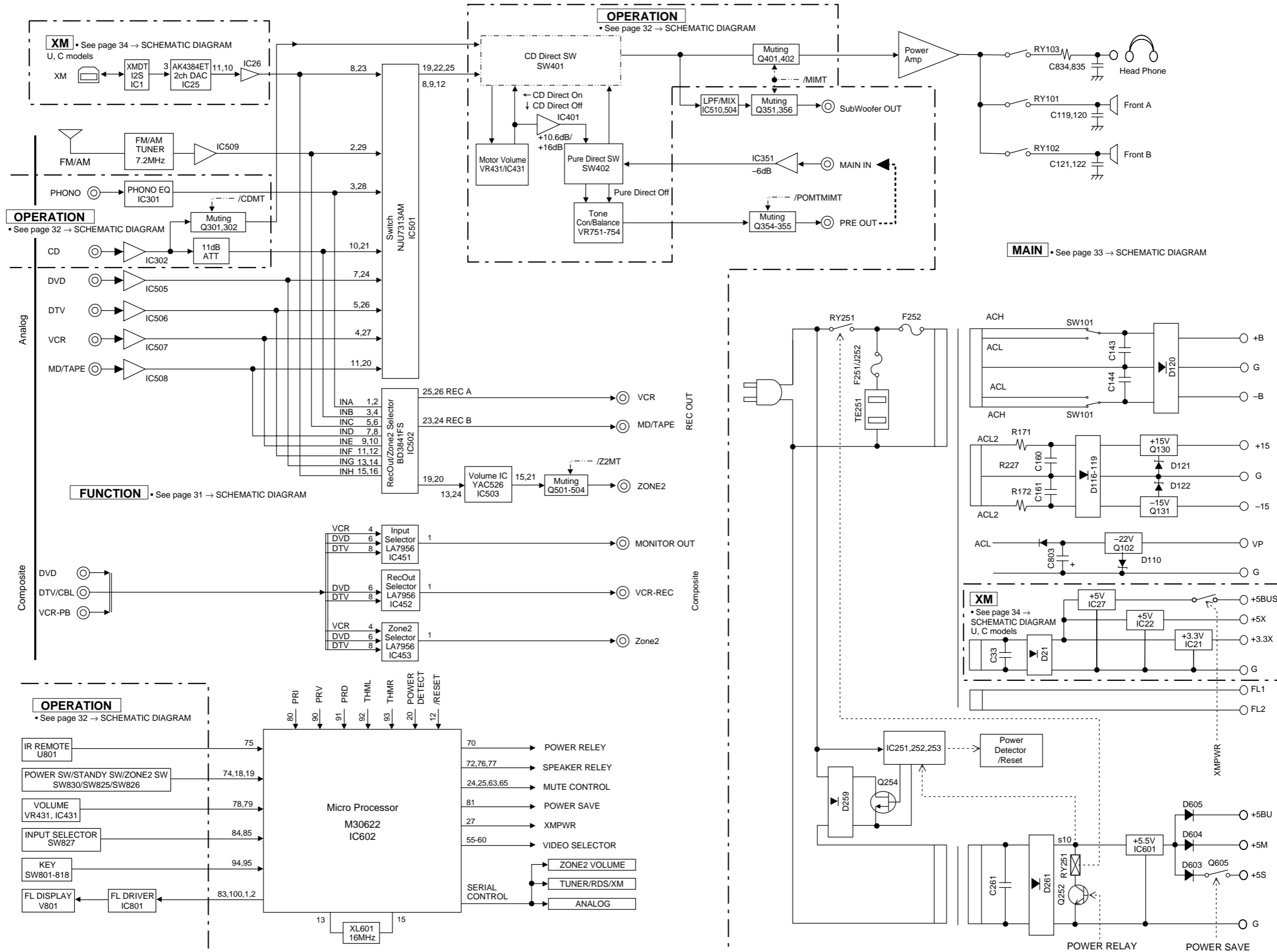
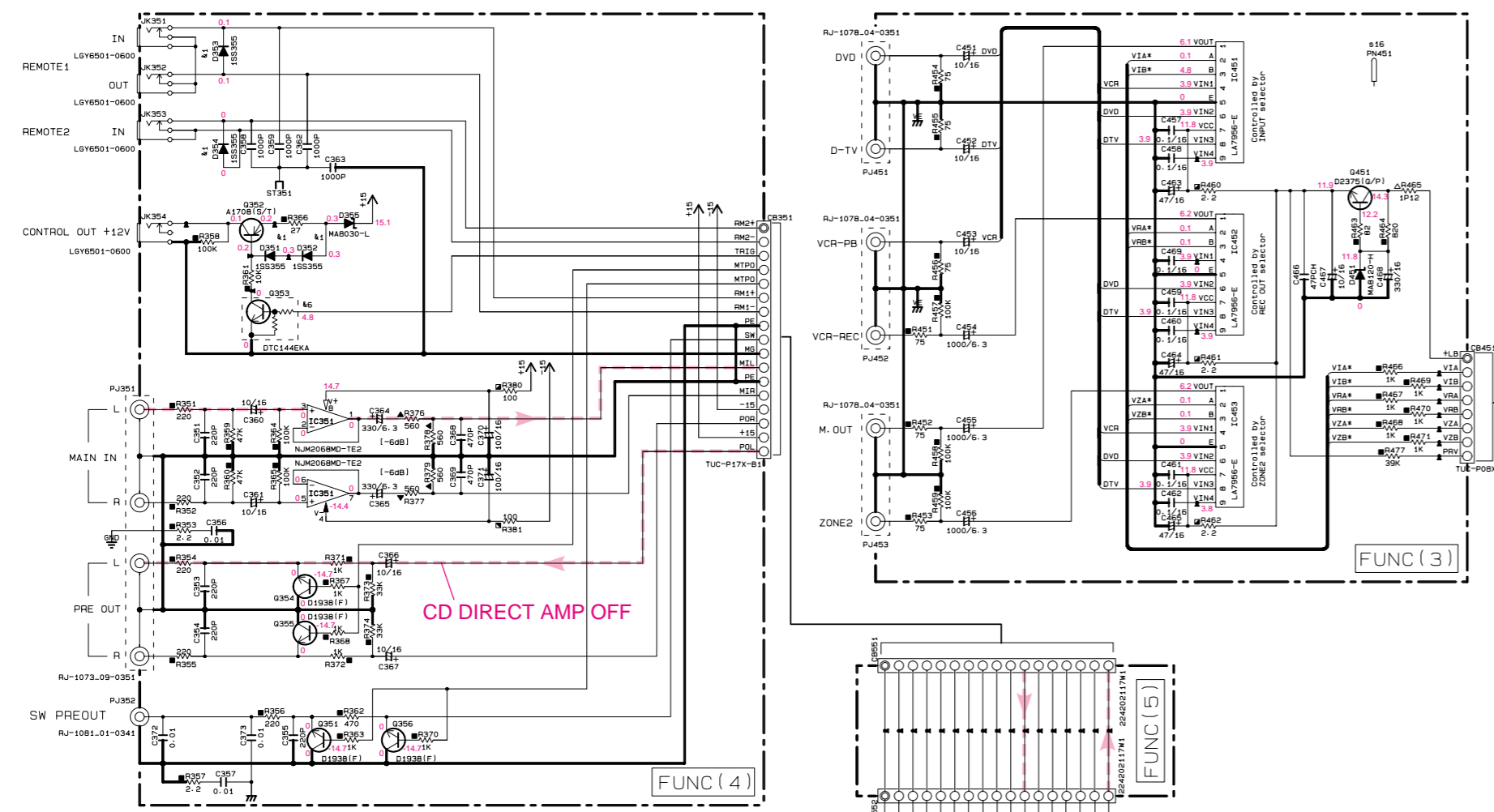


■ BLOCK DIAGRAM



SCHEMATIC DIAGRAM (FUNCTION)



RESISTOR

| REMARKS | PARTS NAME |
|---------|---------------------------------|
| NO MARK | CARBON FILM RESISTOR (P±5) |
| △ | CARBON FILM RESISTOR (P±10) |
| ▲ | METAL OXIDE FILM RESISTOR |
| □ | METAL FILM RESISTOR |
| ■ | FIRE PROOF CARBON FILM RESISTOR |
| ○ | CEMENT MOLDED RESISTOR |
| ◇ | SEMI VARIABLE RESISTOR |
| ◎ | CHIP RESISTOR |

CAPACITOR

| REMARKS | PARTS NAME |
|---------|----------------------------------|
| NO MARK | ELECTROLYTIC CAPACITOR |
| ○ | TANTALUM CAPACITOR |
| ⊙ | CERAMIC TUBULAR CAPACITOR |
| ⊖ | POLYESTER FILM CAPACITOR |
| ○ | POLYSTYRENE FILM CAPACITOR |
| ⊖ | MICA CAPACITOR |
| ⊖ | POLYPROPYLENE FILM CAPACITOR |
| ⊖ | SEMICONDUCTIVE CERAMIC CAPACITOR |

NOTICE (note1)

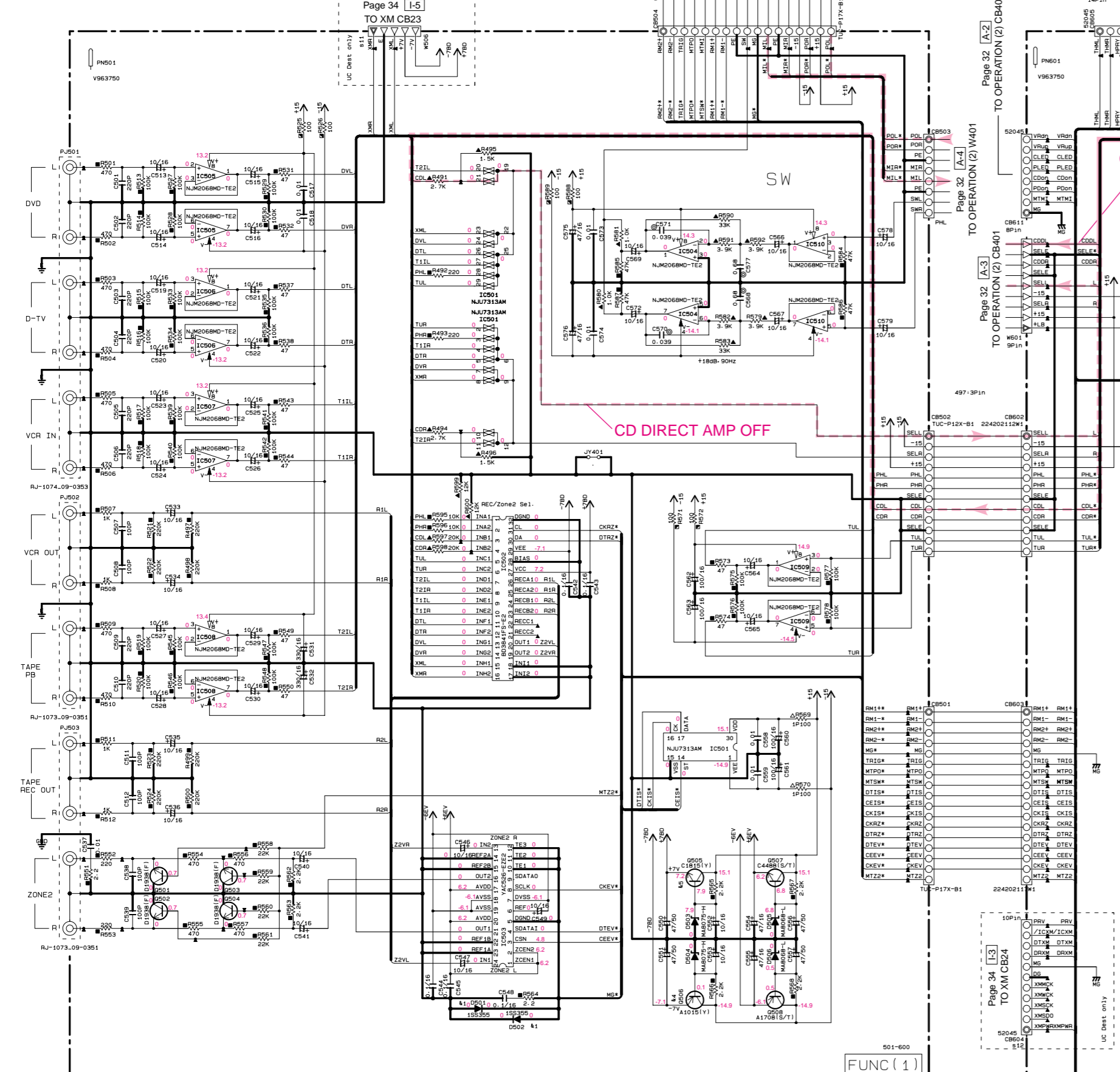
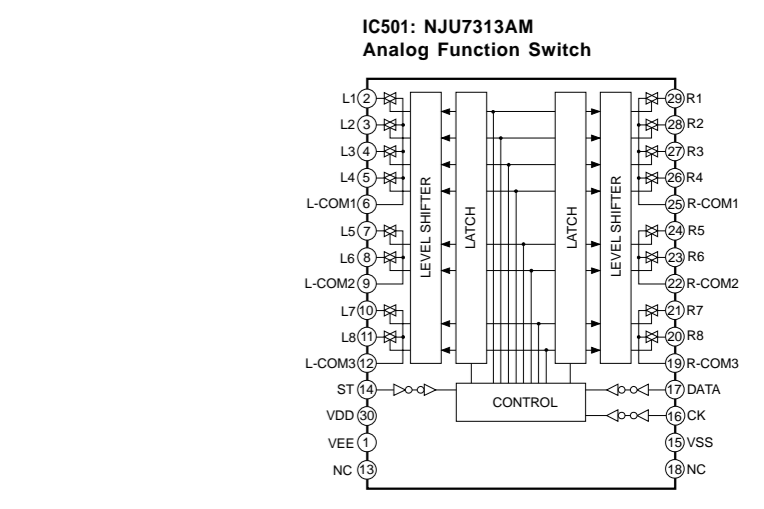
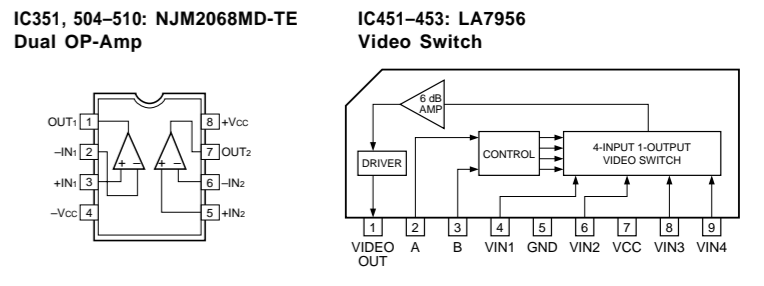
(J)..... JAPAN
(U)..... U.S.A.
(C)..... CANADA
(R)..... GENERAL
(T)..... CHINA
(K)..... KOREA
(A)..... AUSTRALIA
(B)..... BRITISH
(E)..... EUROPE
(L)..... SINGAPORE
(S)..... SOUTH EUROPE
(V)..... TAIWAN

Destination Part List

| NO | LOC | UC | RL | A | SC |
|-----|------|--------|--------|--------|--------|
| 811 | R013 | R03000 | R03050 | R03015 | R03057 |
| 812 | R004 | W02512 | X | X | X |
| 813 | R081 | W02500 | X | X | X |
| 814 | R087 | R03010 | X | X | X |
| 815 | R001 | X | R03015 | R03015 | R03015 |
| 816 | R001 | Y03070 | X | X | X |
| 821 | I003 | X | X | X | X |
| 822 | L002 | X | X | X | X |
| 823 | C030 | X | X | X | X |
| 824 | C02 | X | X | X | X |
| 825 | C02 | X | X | X | X |
| 826 | C03 | X | X | X | X |
| 827 | C03 | X | X | X | X |
| 828 | R098 | X | X | X | X |
| 829 | R711 | X | X | X | X |
| 830 | R084 | X | X | X | X |
| 831 | R714 | X | X | X | X |
| 832 | R080 | X | X | X | X |
| 833 | R078 | X | X | X | X |
| 834 | R077 | X | X | X | X |
| 835 | L001 | X | X | X | X |
| 836 | G009 | X | X | X | X |

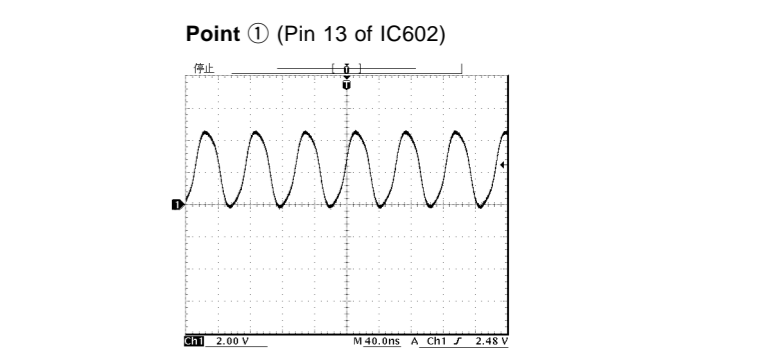
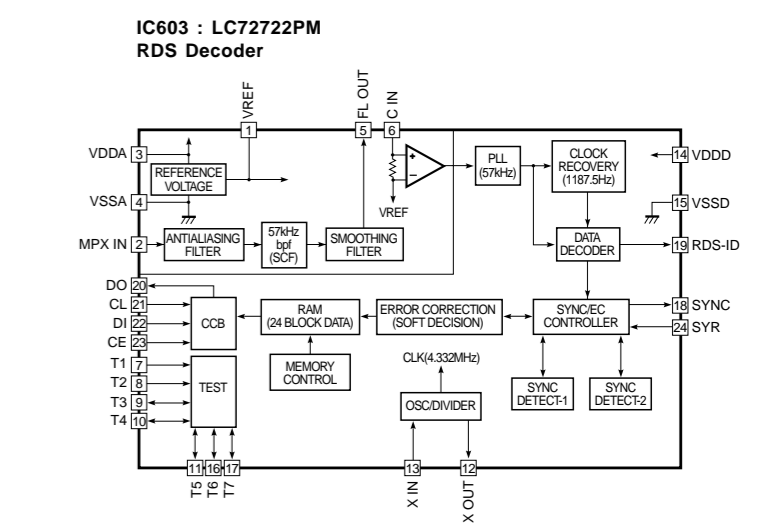
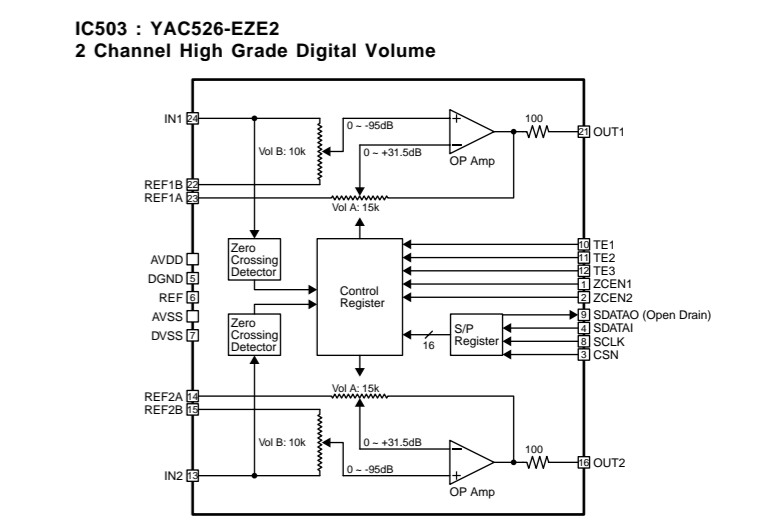
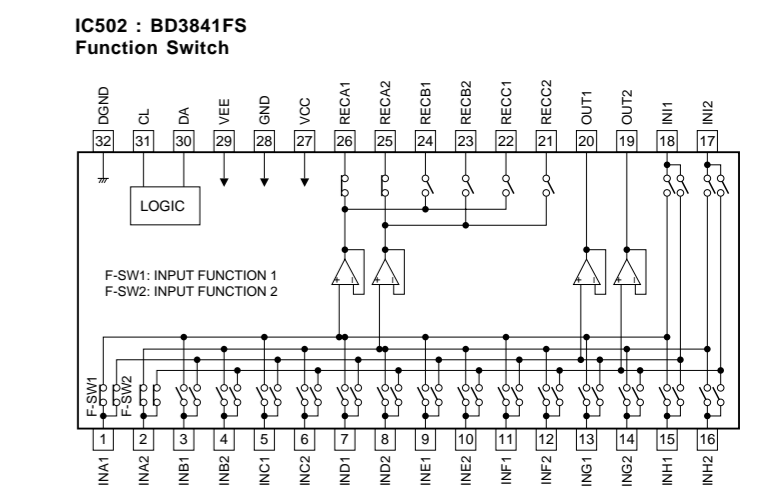
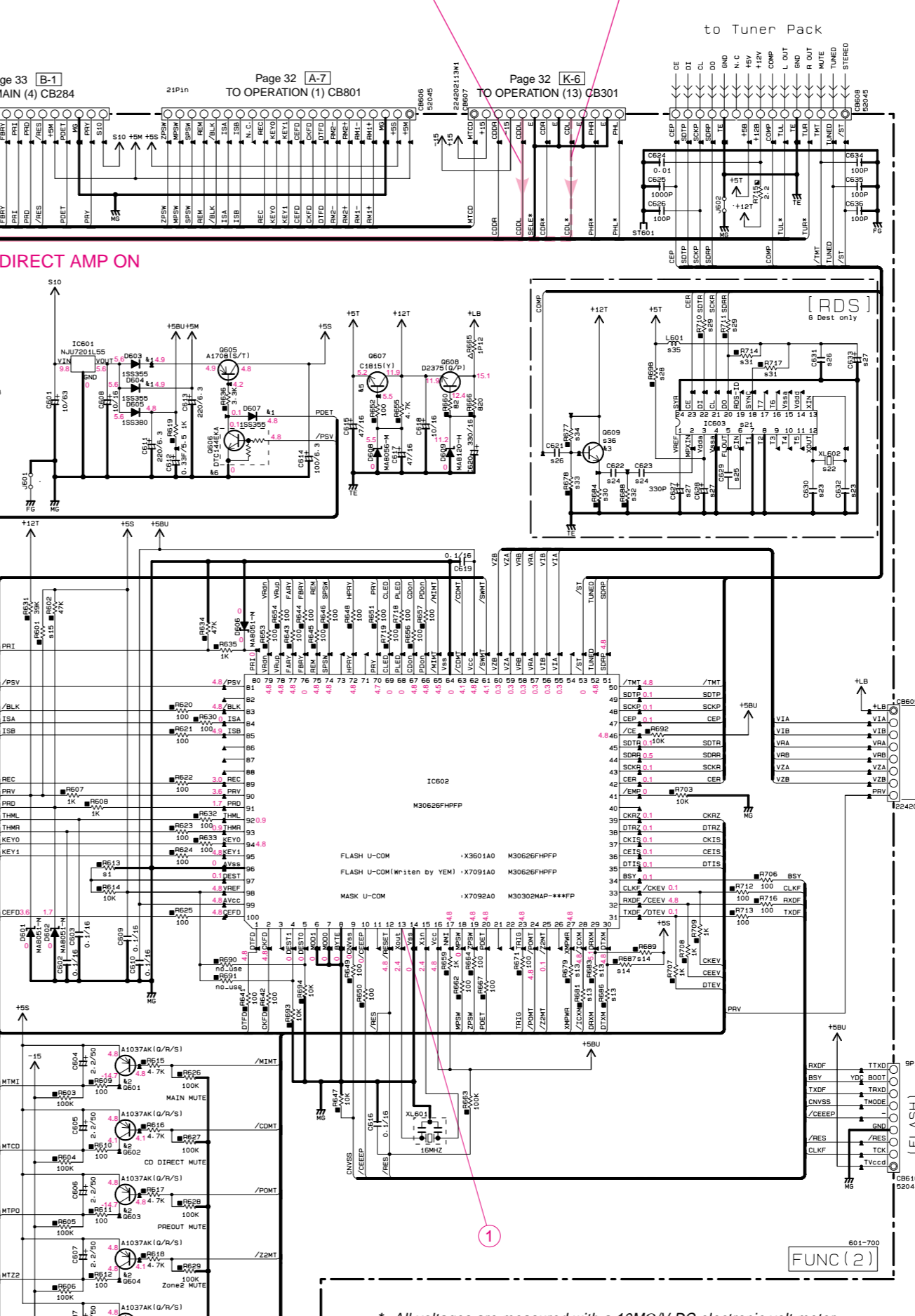
Interchangeable Parts at Manufacture-Stage

| Mark | Reference Parts Number | Parts Name |
|------|--------------------------------------|--|
| 81 | D051-254-501-502 D051-254-604-607 | LS5395 M411 K25160-RTK/P |
| 82 | D051-604-610 | 2S41037AK(G/P/S) 2S41038A(L/P) |
| 83 | D009 | 2S217405R/S 2S2003(E/S) 2S2331A(G/R/S) |
| 84 | D006 | 2S41031V K141065 |
| 85 | D005-607 | 2S21821V K13198 |
| 86 | D053-606 | DT1448KA KRC1040-RTK/P |
| 87 | | |
| 88 | | |
| 89 | | |
| 90 | | |
| 91 | | |
| 92 | | |
| 93 | | |
| 94 | | |



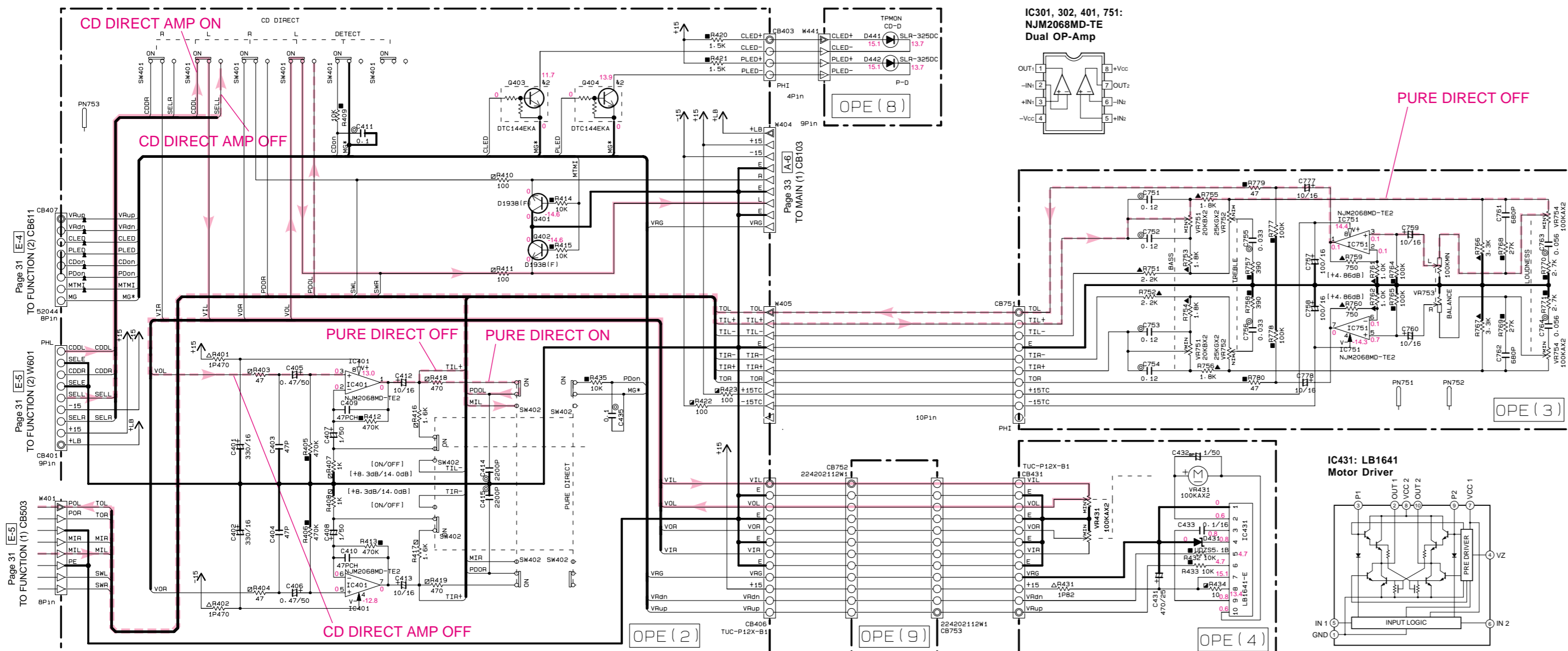
CD DIRECT AMP ON

CD DIRECT AMP OFF



* All voltages are measured with a 10MΩ/V DC electronic volt meter.
* Components having special characteristics are marked △ and must be replaced with parts having specifications equal to those originally installed.
* Schematic diagram is subject to change without notice.

SCHEMATIC DIAGRAM (OPERATION)

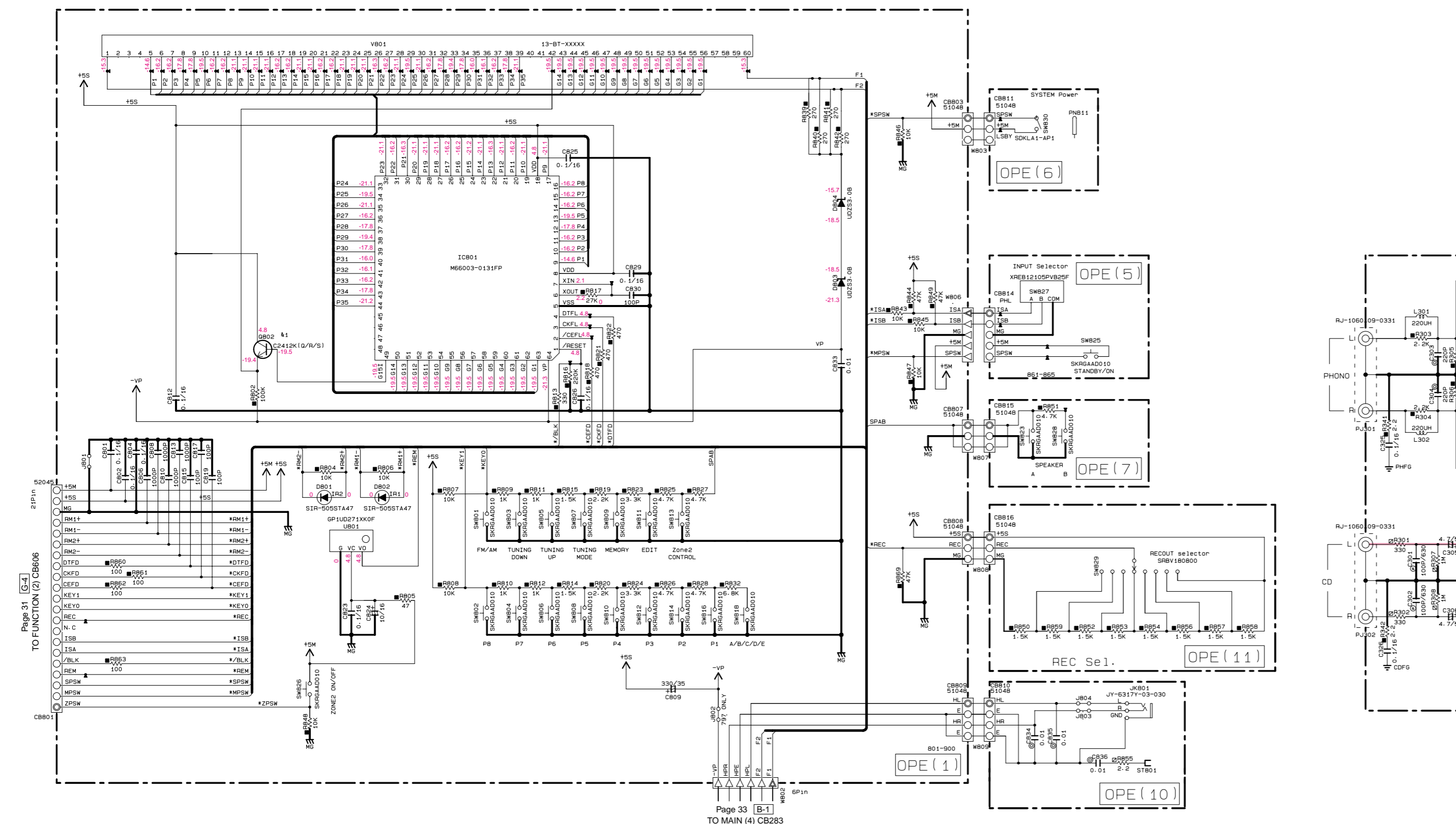
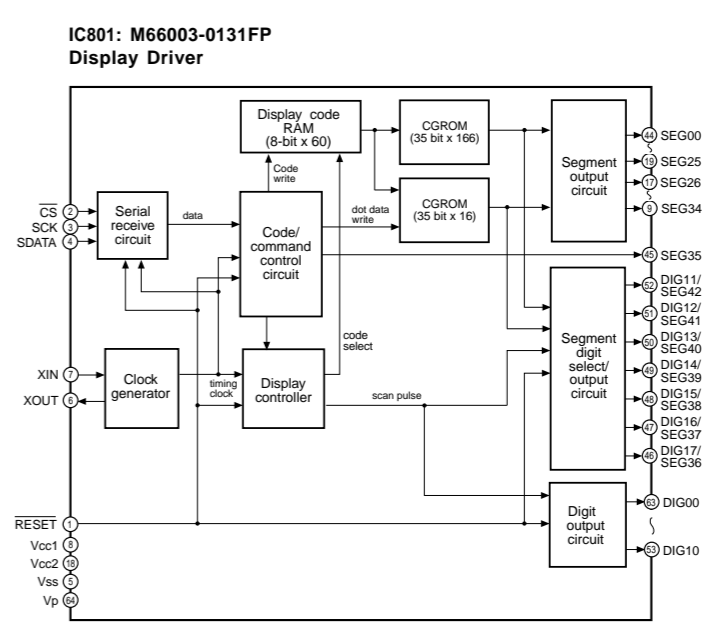
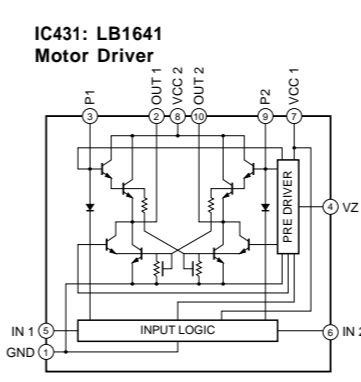
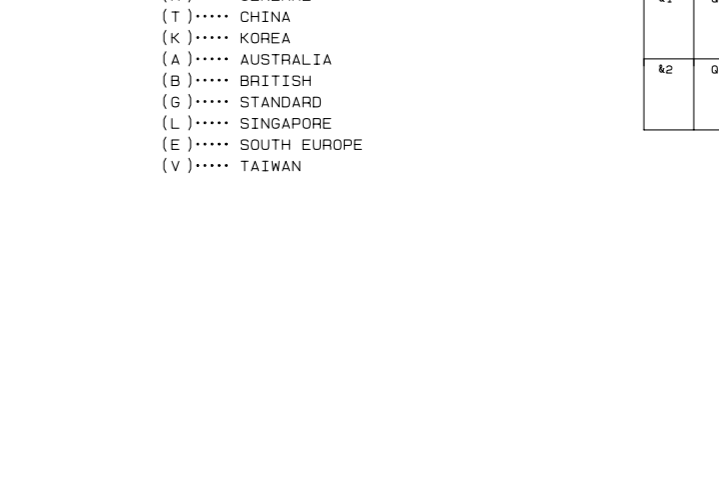


| RESISTOR | | CAPACITOR | |
|----------|---------------------------------|-----------|----------------------------------|
| REMARKS | PARTS NAME | REMARKS | PARTS NAME |
| NO MARK | CARBON FILM RESISTOR (P=5) | NO MARK | ELECTROLYTIC CAPACITOR |
| △ | METAL OXIDE FILM RESISTOR | ⊗ | TANTALUM CAPACITOR |
| △ | METAL FILM RESISTOR | ⊙ | CERAMIC CAPACITOR |
| △ | METAL PLATE RESISTOR | ⊖ | CERAMIC TUBULAR CAPACITOR |
| △ | FIRE PROOF CARBON FILM RESISTOR | ⊕ | POLYSTYRENE FILM CAPACITOR |
| ⊖ | CEMENT MOLDED RESISTOR | ⊗ | MICA CAPACITOR |
| ⊕ | SEMI VARIABLE RESISTOR | ⊖ | POLYPROPYLENE FILM CAPACITOR |
| ⊖ | CHIP RESISTOR | ⊕ | SEMICONDUCTIVE CERAMIC CAPACITOR |

NOTICE (model)
 (J)..... JAPAN
 (U)..... U.S.A
 (C)..... CANADA
 (R)..... GENERAL
 (T)..... CHINA
 (K)..... KOREA
 (A)..... AUSTRALIA
 (B)..... BRITISH
 (G)..... STANDARD
 (L)..... SINGAPORE
 (E)..... SOUTH EUROPE
 (V)..... TAIWAN

Interchangeable Parts at Manufacture-Stage

| Mark | Reference Parts Number | Parts Name |
|------|------------------------|--|
| k1 | G802 | 2SC2412K(0/R/S) 2SD0601AR(L/A/B) (0/R/S) |
| k2 | G403-404 | DTC144EKA KRC104S-RTK/B |



* All voltages are measured with a 10MΩ/V DC electronic volt meter.
 * Components having special characteristics are marked △ and must be replaced with parts having specifications equal to those originally installed.
 * Schematic diagram is subject to change without notice.

SCHEMATIC DIAGRAM (MAIN)

Page 32 [E-3] TO OPERATION (1) W802
Page 31 [E-4] TO FUNCTION (2) CB605
TO POWER TRANSFORMER

IC101, 102 : LM61C1Z
Temperature Sensor

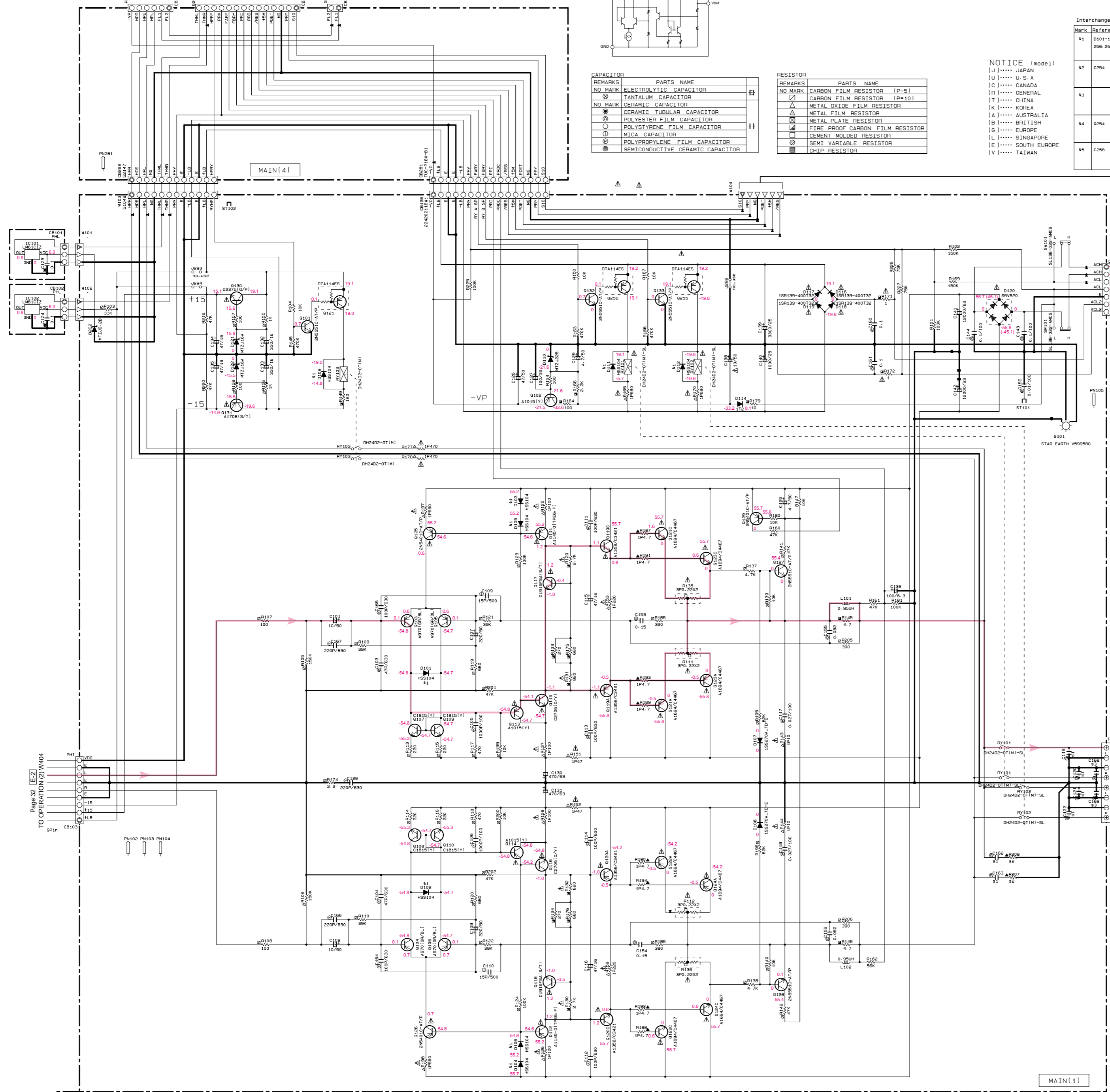
| REMARKS | PARTS NAME | UNIT |
|---------|----------------------------------|------|
| NO MARK | ELECTROLYTIC CAPACITOR | μF |
| ⊗ | TANTALUM CAPACITOR | μF |
| NO MARK | CERAMIC CAPACITOR | μF |
| ⊙ | CERAMIC TUBULAR CAPACITOR | μF |
| ○ | POLYESTER FILM CAPACITOR | μF |
| ○ | POLYSTYRENE FILM CAPACITOR | μF |
| ○ | MICA CAPACITOR | μF |
| ○ | POLYPROPYLENE FILM CAPACITOR | μF |
| ○ | SEMICONDUCTIVE CERAMIC CAPACITOR | μF |

| REMARKS | PARTS NAME | UNIT |
|---------|---------------------------------|------|
| NO MARK | CARBON FILM RESISTOR (P=5) | Ω |
| ⊗ | CARBON FILM RESISTOR (P=10) | Ω |
| △ | METAL OXIDE FILM RESISTOR | Ω |
| △ | METAL FILM RESISTOR | Ω |
| △ | METAL PLATE RESISTOR | Ω |
| △ | FIRE PROOF CARBON FILM RESISTOR | Ω |
| △ | CEMENT MOLDED RESISTOR | Ω |
| △ | SEMI VARIABLE RESISTOR | Ω |
| ■ | CHIP RESISTOR | Ω |

NOTICE (model)
(J)..... JAPAN
(U)..... U.S.A
(C)..... CANADA
(R)..... GENERAL
(T)..... CHINA
(K)..... KOREA
(A)..... AUSTRALIA
(B)..... BRITISH
(G)..... EUROPE
(L)..... SINGAPORE
(E)..... SOUTH EUROPE
(V)..... TAIWAN

| Mark | Reference Parts Number | Parts Name |
|------|--|----------------------------|
| K1 | D101-106-109-111-112-113-256-257-260-271-273 | HSB104 155133 155176 |
| K2 | C254 | 0.047/400 0.047/630 |
| K3 | | |
| K4 | D254 | 2PK3950 2PK3491 |
| K5 | C258 | 0.047/600 0.047/630 |

| Reference No | U-C | R | A | G-E | L |
|--------------|------------------|----------------------|----------------------|----------------------|----------------------|
| S1 | C119-122-162-163 | X | X | 0.01 UM65410 | 0.01 UM65410 |
| S2 | R207-208 | X | X | IP4.7 V939270 | IP4.7 V939270 |
| S3 | C168-169 | X | X | 0.017/100 ME10290 | 0.017/100 ME10290 |
| S4 | | | | | |
| S5 | | | | | |
| S6 | | | | | |
| S7 | TE251 | VU54310 | V586740 | V191500 | VU54340 VU54340 |
| S8 | J252 | X | VN50000 | VN50000 | X VN50000 |
| S9 | CB253-254 | WC05070 | X | X | WC05070 X |
| S10 | F251 | Y8A125V | X | X | TE-5A2925V X |
| S11 | C254 | 0.047/400 WB99710 | 0.022/630 WC24160 | 0.022/630 WC24160 | 0.022/630 WC24160 |
| S12 | C258 | 0.17/400 WB99760 | 0.033/630 WC24160 | 0.033/630 WC24160 | 0.033/630 WC24160 |
| S13 | F252 | Y8A125V W641070 | Y4L2925V K800279 | Y4L2925V K800279 | Y4L2925V K800279 |
| S14 | F251 | Y8A125V XW62840 | XW62840 | XW62840 | XW62840 |
| S15 | C260 | 3300/25 LW04933 | 3300/25 LW04933 | 3300/25 LW04933 | 3300/25 LW04933 |
| S16 | SW291 | X | X | X | WB40294 W07370 |
| S17 | CB253-254 | X | WC05070 | X | X X |
| S18 | CB291 | X | VB37780 | X | X VB37780 |
| S19 | CB292 | X | VB37780 | X | X VB37780 |
| S20 | F251 | X | K800279 | X | X K800279 |
| S21 | W291 | X | W476540 | X | X W476540 |
| S22 | J255-256-297 | X | VN50000 | X | X VN50000 |
| S23 | TE101 | WC63190 | WC63190 | WD47750 | WD47750 |
| S24 | J298 | X | X | X | X VN50000 |

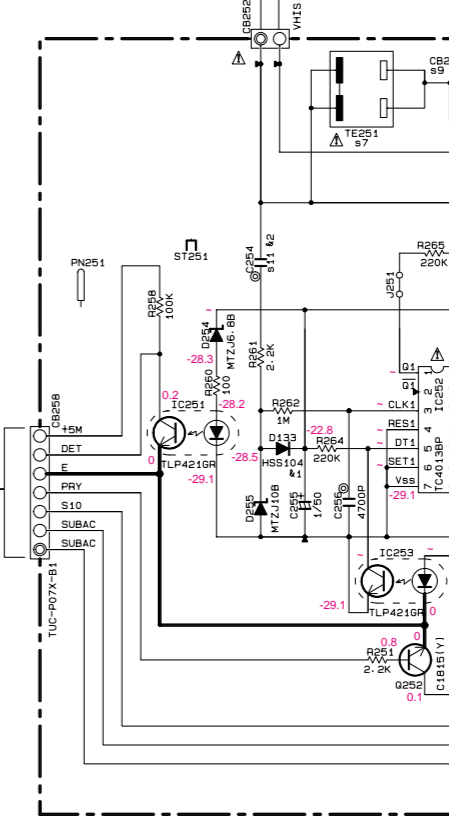
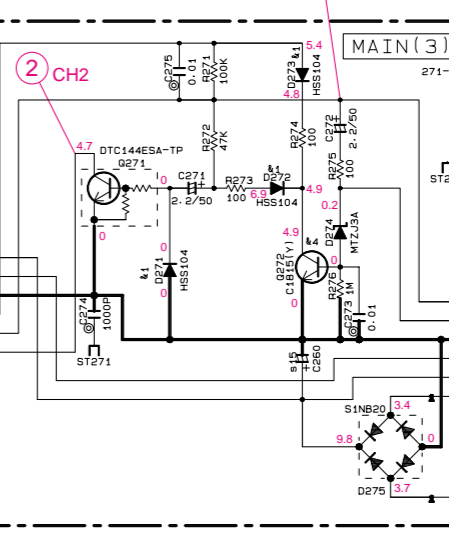
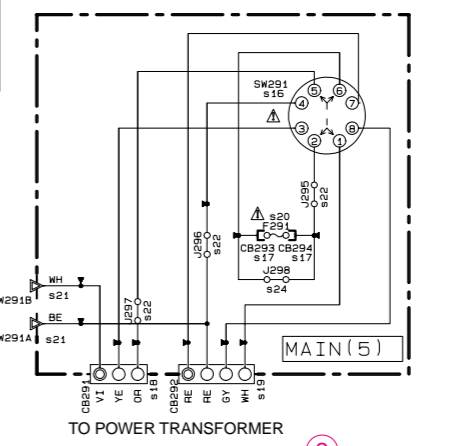


TO POWER TRANSFORMER

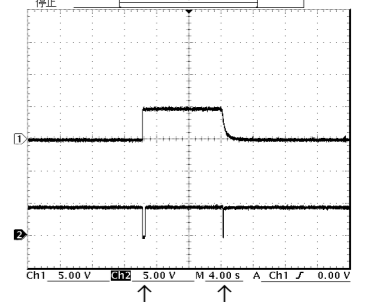
TO POWER TRANSFORMER

TO POWER TRANSFORMER or TO MAIN (5) W291

SPEAKERS

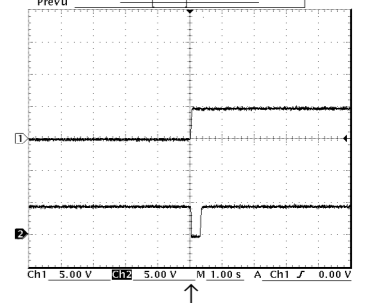


Point ②
CH 1 : (+) of C272
CH 2 : Collector of Q271



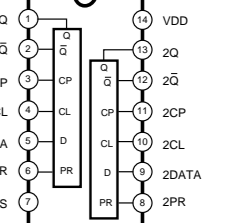
AC POWER ON (Connect the power cable)

AC POWER OFF (Disconnect the power cable)



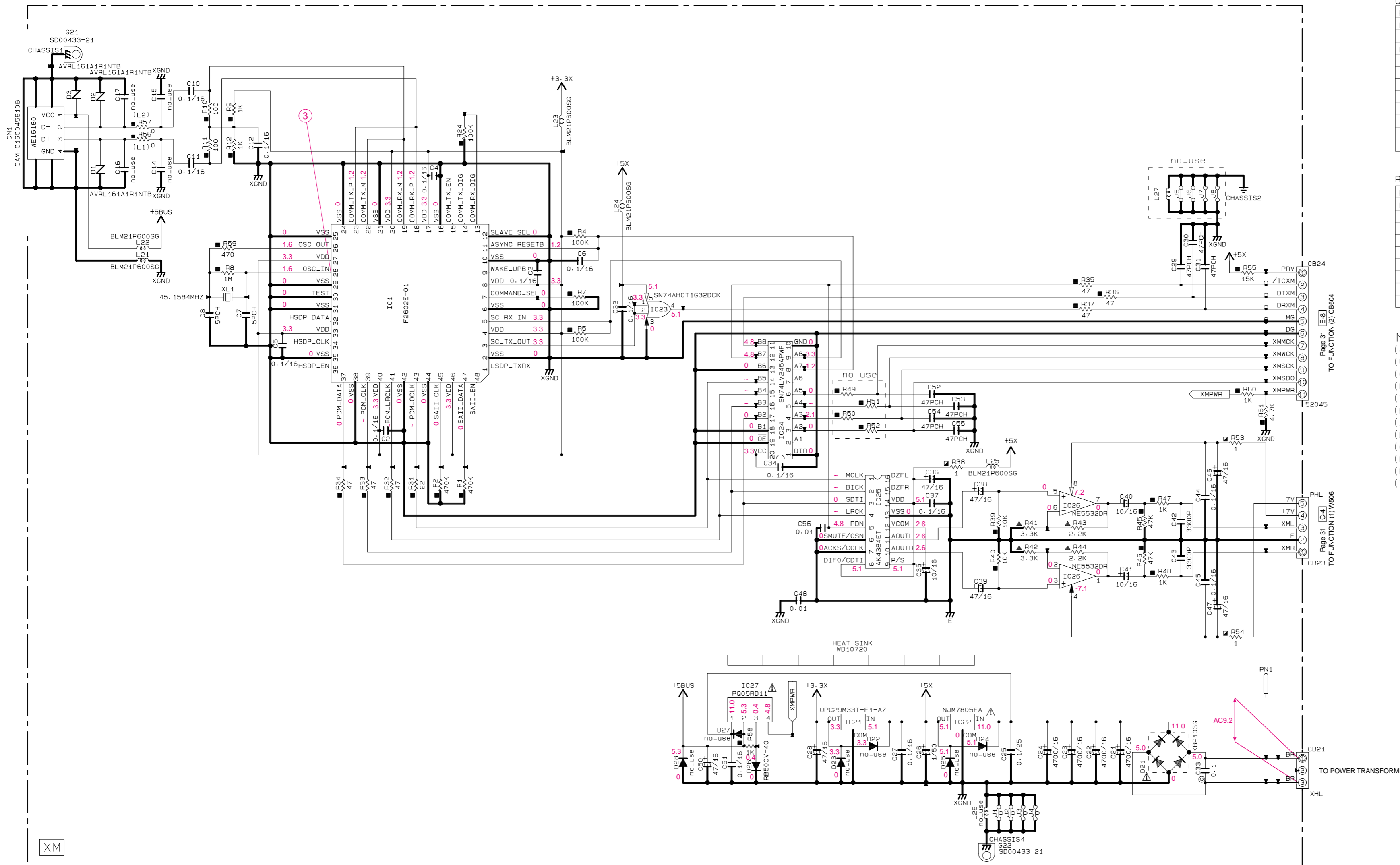
AC POWER ON (Connect the power cable)

IC252 : TC4013BP
Dual D Flip Flop



* All voltages are measured with a 10MΩ/V DC electronic volt meter.
* Components having special characteristics are marked Δ, and must be replaced with parts having specifications equal to those originally installed.
* Schematic diagram is subject to change without notice.

■ SCHEMATIC DIAGRAM (XM)



| CAPACITOR | | |
|-----------|--------------------------------------|---|
| REMARKS | PARTS NAME | |
| NO MARK | ELECTROLYTIC CAPACITOR | ≡ |
| ⊗ | TANTALUM CAPACITOR | ⊗ |
| NO MARK | CERAMIC CAPACITOR | ○ |
| ● | CERAMIC TUBULAR CAPACITOR | ● |
| ⊙ | POLYESTER FILM CAPACITOR | ⊙ |
| ○ | POLYSTYRENE FILM CAPACITOR | ○ |
| ⊖ | MICA CAPACITOR | ⊖ |
| ⊕ | POLYPROPYLENE FILM CAPACITOR | ⊕ |
| ⊗ | SEMICONDUCTIVE CERAMIC CAPACITOR | ⊗ |
| ⊙ | POLYPHENYLENE SULFIDE FILM CAPACITOR | ⊙ |

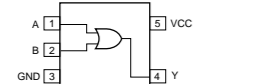
| RESISTOR | | |
|----------|---------------------------------|---|
| REMARKS | PARTS NAME | |
| NO MARK | CARBON FILM RESISTOR (P=5) | □ |
| □ | CARBON FILM RESISTOR (P=10) | □ |
| △ | METAL OXIDE FILM RESISTOR | △ |
| △ | METAL FILM RESISTOR | △ |
| ⊗ | METAL PLATE RESISTOR | ⊗ |
| ⊗ | FIRE PROOF CARBON FILM RESISTOR | ⊗ |
| □ | CEMENT MOLDED RESISTOR | □ |
| ⊗ | SEMI VARIABLE RESISTOR | ⊗ |
| ⊗ | CHIP RESISTOR | ⊗ |

NOTICE (model)

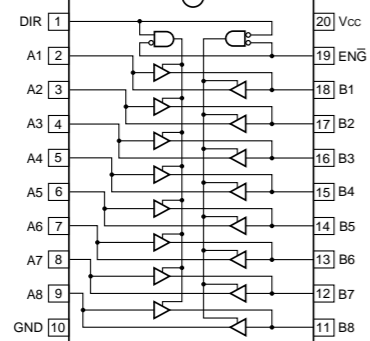
(J)..... JAPAN
 (U)..... U.S.A
 (C)..... CANADA
 (R)..... GENERAL
 (T)..... CHINA
 (K)..... KOREA
 (A)..... AUSTRALIA
 (B)..... BRITISH
 (G)..... EUROPE
 (L)..... SINGAPORE
 (E)..... SOUTH EUROPE
 (V)..... TAIWAN

XM

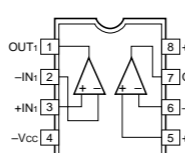
IC23 : SN74AHCT1G32DCKR
Single 2 Input OR



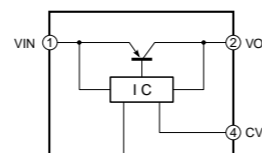
IC24 : SN74LV245APWR
Octal 3-State Bus Transceivers



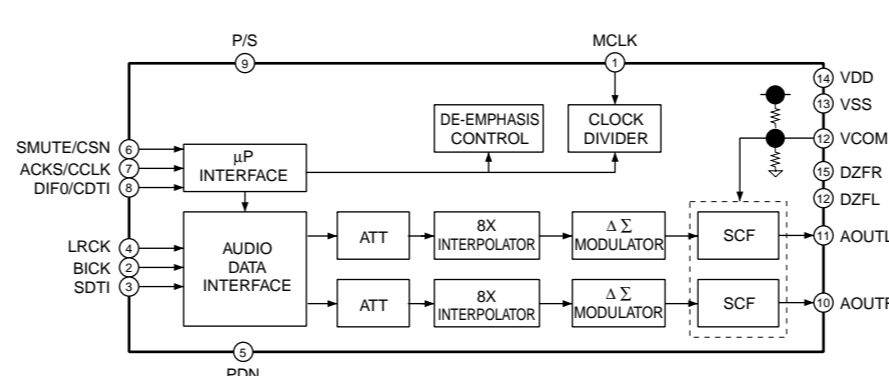
IC26 : NE5532DR
Dual OP-Amp



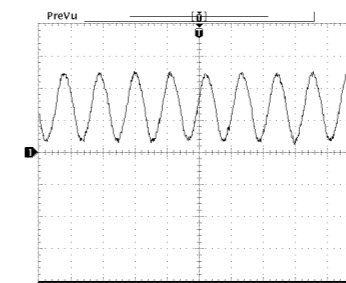
IC27 : PQ05RD11
Regulator



IC25 : AK4384ET
D/A Converter



Point ③ (Pin 28 of IC1)



* All voltages are measured with a 10MΩ/V DC electronic volt meter.
 * Components having special characteristics are marked △ and must be replaced with parts having specifications equal to those originally installed.
 * Schematic diagram is subject to change without notice.